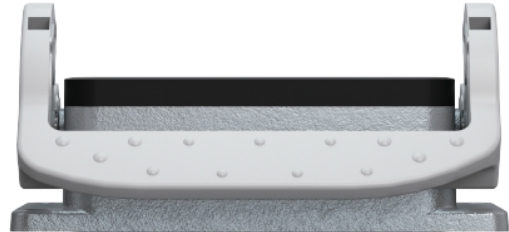


Data sheet

Commercial Art.No.: 70.320.0628.0

bottom BAS GUT GK 6 A

Bottom-base revos basic made of aluminum, with single locking lever, open, low version, 6-poles



Commercial Art.No.	70.320.0628.0
EAN	4015573220027
Order Unit	1

certificates / approvals



Technical data

general

housing material	aluminum
color	grey
surface	with powder coating
degree of protection (IP)	IP54
UV resistant	yes
flammability class of insulation material acc. with UL94	other
operating temperature range min.	-40 °C
operating temperature range max.	120 °C

model

construction	6
model of the housing	equipment mounted (feed-through)
locking mechanism	single locking lever
cable entry	none
type of cable	none
with cable screw gland	no
thread size PG	
hinged lid	no
EMC-version	no
length	80 mm
width	43.5 mm
height	28.9 mm

classification

ECLASS 11	
ECLASS 8.1	27440202
ETIM 9.0	EC000437
ETIM 8.0	EC000437
ETIM 7.0	EC000437
ETIM 6.0	EC000437

ETIM 5.0	EC000437
ETIM 4.0	EC000437

product compliance

ROHS conformity status	compliant
REACH-SVHC conformity status	compliant

Accessories

Commercial Art.No.:	Article-type description:	Description:
---------------------	---------------------------	--------------

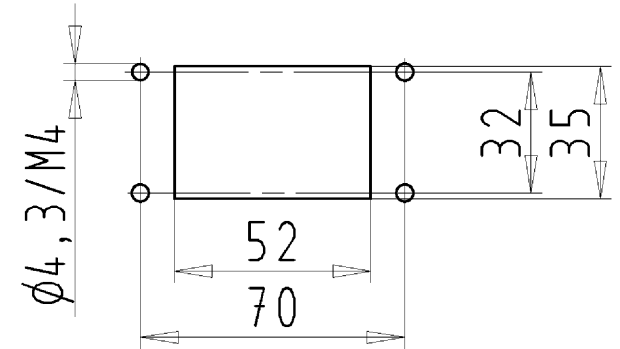
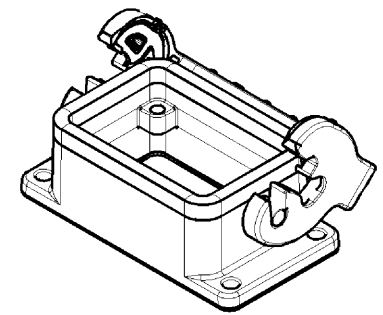
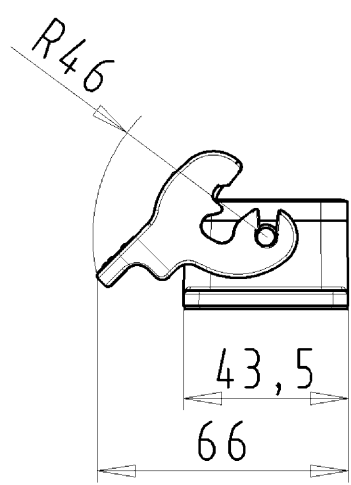
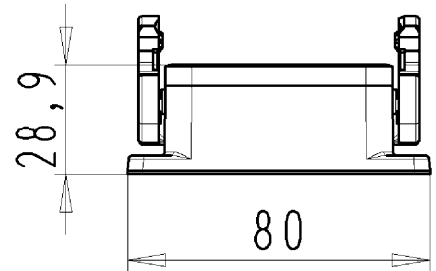
These dimensions will be especially checked at delivery
 Only inspection dimensions
 With /E marked dimensions are only valid for internal use

Diese Maße werden bei Abnahme besonders geprüft
 Ausschließliche Prüfmaße
 Mit /E gekennzeichnete Maße sind nur für interne Zwecke gültig

These dimensions will be especially checked at delivery
 Only inspection dimensions
 With /E marked dimensions are only valid for internal use

These dimensions will be especially checked at delivery
 Only inspection dimensions
 With /E marked dimensions are only valid for internal use

These dimensions will be especially checked at delivery
 Only inspection dimensions
 With /E marked dimensions are only valid for internal use



Bohrbild
/Cut out

70.320.0628.0	BAS GUT GK 6 A
Bestellnummer /Order number	Typ /Type

Weitere Daten siehe KATALOG oder eKatalog.
 Additional data see CATALOG or eCatalog. www.wieland-electric.com
eshop.wieland-electric.com

Tolerierung Size ISO 14405 (E) / Tolerance system Size ISO 14405 (E). (This ISO-standard describes the envelope principle. According to the envelope principle the deviations of form and parallelism are limited by the size tolerances).		ja/yes <input checked="" type="checkbox"/> Stoffverbots- und Deklarationsliste nach UU-TQM-05/03 ist einzuhalten. Conformity with Wieland document UU-TQM-05/03 (list of prohibited / declarable hazardous substances) to be declared!	
Freitoleranz nach - General tolerance		CAD - Zeichnung, keine manuellen Änderungen CAD - drawing, no manual modifications allowed	1. Verwendung: - First Use:
Blatt: 1 von 1 Sheet: 1 of 1		Zeichnung Nr./Drawing No. 70.320.0628.0 13K	
Maße in mm/Dimensions are in mm		Ersatz für/Replacement for: -	
Werkstoff/Material Aluminium beschichtet/coated grau/grey		2013 gezeichnet drawn geprüft checked Normgepr. Stand. check	Tag/Date 10.06. Name Dvetsch
Vol. mm ³ / Ofl./Surf. mm ²		Type revos BASIC	
Benennung/Titel GEHÄUSEUNTERTEIL Baugröße 6 offen OPEN HOUSING size 6		wieland Elektrische Verbindungen	
Index	Datum / Blatt Date / Sheet	Änderung/Revision	

Weitergabe sowie Vervielfältigung dieses Dokuments, Verwertung und Mitteilung seines Inhalts sind verboten, soweit nicht ausdrücklich gestattet.
 The reproduction, distribution and utilization of this document as well as the communication of its contents to others without express authorization is prohibited.

703200628013K_2 CADW/5028_Treschan 2013-09-20T11:18:30 1.000